

# Powertec 4G Wideband Stud Antenna, 700 to 2700 MHz, SMA Male

SKU: ANT-PT-00020

MPN: VST-6927-3.SA13

Barcode: 9337692004391

## Description

The VST-6927-3 antenna is an economic, high performance stud mount wideband 4G antenna for external use on a range of IoT devices including electronic advertising, vending machines, and metering applications. Stable omnidirectional gain and moderate-high efficiency across the entire operating frequency range ensures consistent reception and transmission.

The antenna is mounted on metal and plastic structures and is locked from the inside of the structure by a nut. Rubber gaskets at the base provide a watertight seal to the mounting structure. The model provides a 2 dBi gain across global LTE bands when mounted on non-metallic surfaces, however performance is dramatically improved when mounting on a metal surface to act as a ground plane.

Read More

Having tested just about all equivalent models across the globe, our team is confident that this model represents the best cost-performance position for mass deployment.

The antenna is low cost but remains very effective in providing consistent and reliable cellular data connectivity in a range of field installation scenarios.

Read More



## RF Specification

Powertec

Powertec is a wireless technology manufacturer and systems integrator based in Australia. Operating since 1995, Powertec has grown to become the leading wireless technology distributor in its region, and a leading Infratech systems developer. Supporting over 1500 partners the company provides procurement, design, project management, and support services across Australia, New Zealand, Pacific ...

Start Frequency:	698 MHz	Polarisation:	Vertical (V)
Stop Frequency:	2700 MHz	Input Impedance:	50
Max. Input Power:	5 W		

RF Connectors

Ports	RF Interface	Body Shape	Cable Series	Length
1	SMA Male	Straight	L-195	2000 mm

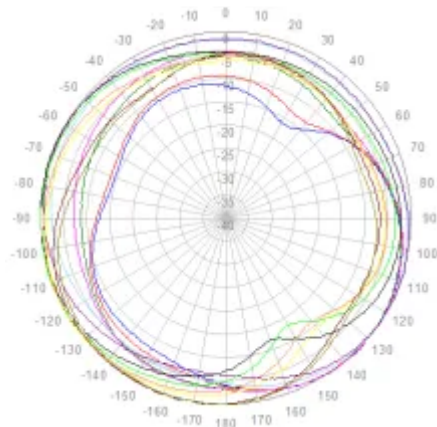
Frequency Test Data

Start Freq.	Stop Freq.	Peak Gain	VSWR	Azimuth	Efficiency
698 MHz	824 MHz	4.1 dBi	< 2.8:1	360°	60%
824 MHz	960 MHz	4 dBi	< 2:1	360°	70%
1695 MHz	2200 MHz	5.1 dBi	< 2.5:1	360°	60%
2300 MHz	2700 MHz	3.5 dBi	< 2.5:1	360°	40%

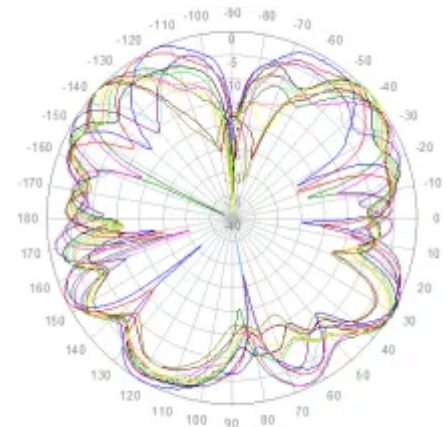
Polar Patterns

Start Frequency: 698 MHz  
 Stop Frequency: 960 MHz

Azimuth Polar Plot

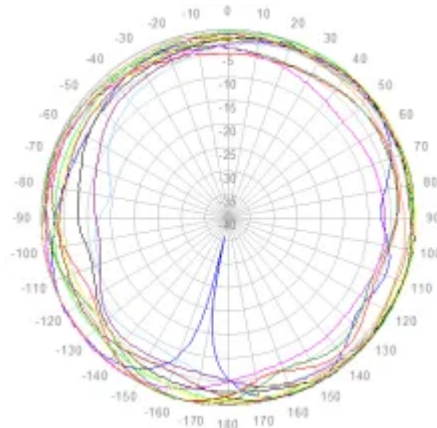


Elevation Polar Plot

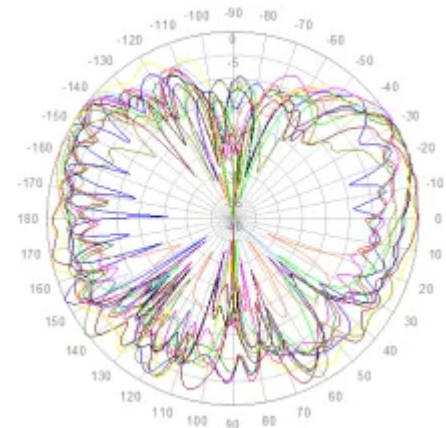


Start Frequency: 1695 MHz  
 Stop Frequency: 2700 MHz

Azimuth Polar Plot



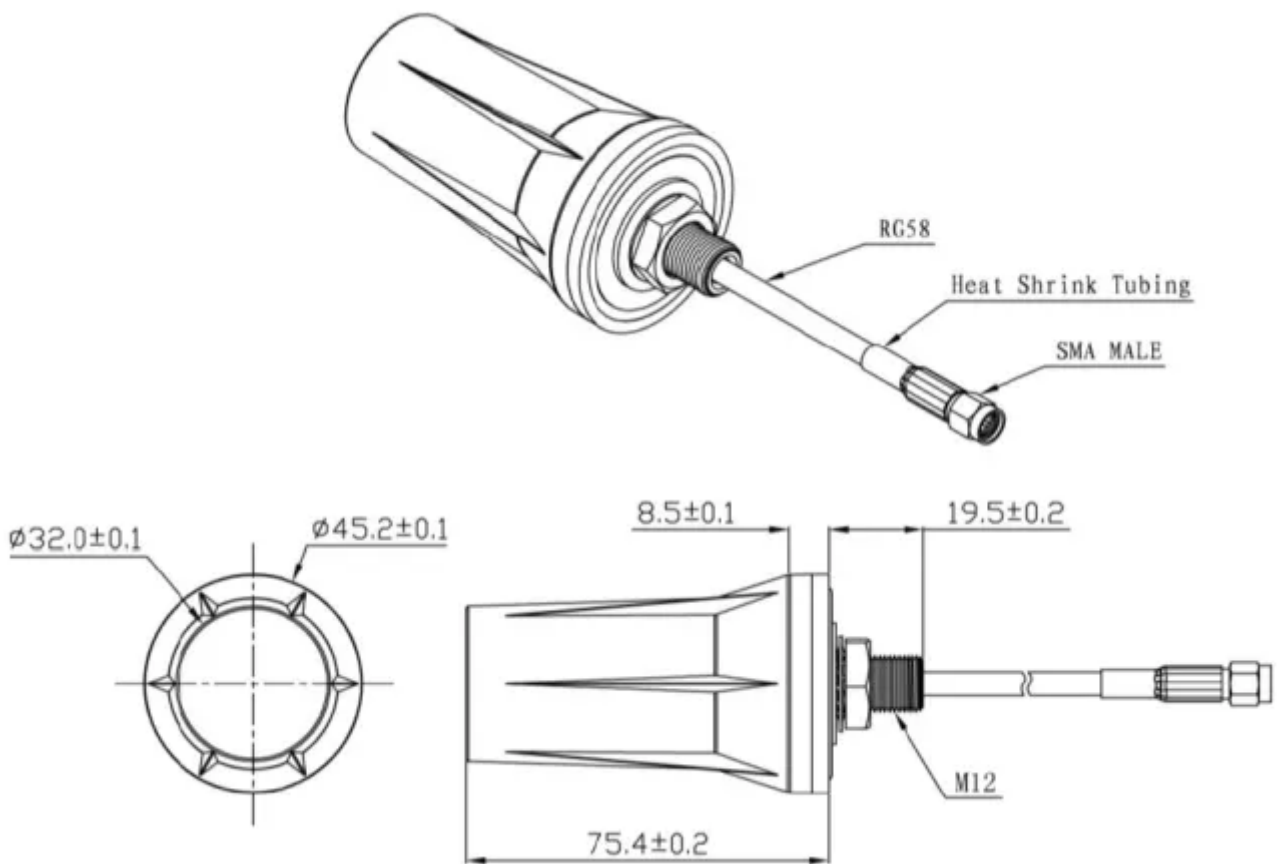
Elevation Polar Plot



# Physical Specification

Subtype:	Fin / Stud / Combo	Dimensions:	103 x 45 (L x Dia)
Input Ports:	1	Materials:	ABS Plastic
MIMO:	1x1 SISO	Mounting:	M12 Stud
Min. Operating Temperature:	-40 °C		
Max. Operating Temperature:	85 °C		

## Drawing



Disclaimer: Although care has been taken to ensure the accuracy, completeness and reliability of the information provided, Powertec assumes no responsibility therefore. The user of the information agrees that the information is subject to change without notice. Powertec assumes no responsibility for the consequences of use of such information, nor for any infringement of third party intellectual property rights which may result from its use. IN NO EVENT SHALL POWERTEC BE LIABLE FOR ANY DIRECT, INDIRECT, SPECIAL, OR INCIDENTAL DAMAGE RESULTING FROM, ARISING OUT OF OR IN CONNECTION WITH THE USE OF THE INFORMATION.

