

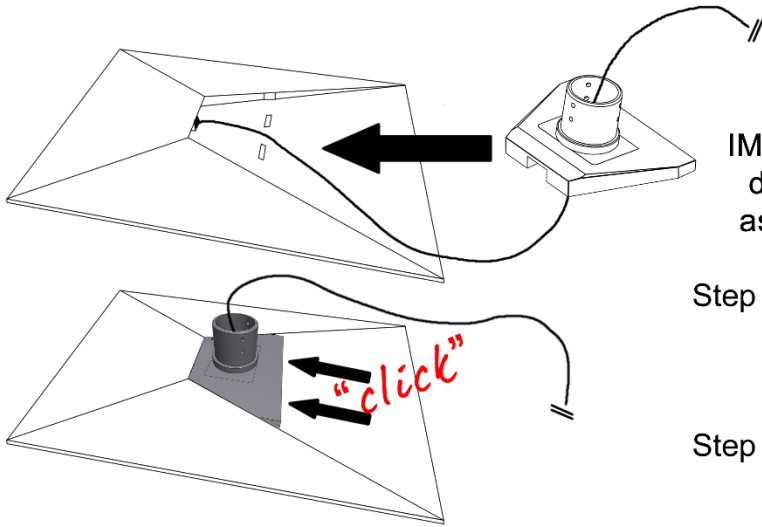


Starlink Gen 3 Pipe Adapter Instructions

www.clickdatawifi.com.au

Step 1: Place dish flat on a protective medium

Step 2: Insert cable into dish after running it through pipe adapter. Option 1, down through pole or option 2 through the back of the adapter and down outside of the pole.



IMPORTANT: You must insert cable into dish before clicking adapter into place as it is difficult to remove once in place

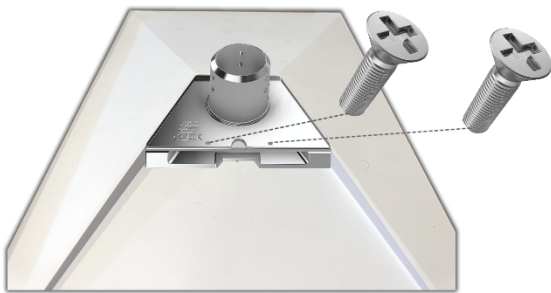
Step 3: Slide pole adapter into place (protect cable as you move it into position) and "click" the adapter into place.

Step 4: Move dish and pipe adapter into position on the pole, align and then tighten in screws, rivet or tek screws to secure adapter to pole.

WARNING

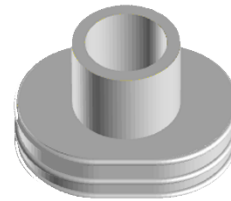
When drilling in sharp objects, keep cable clear from being damaged

Wind Flex Elimination



This is an optional step using M6 screws (not included) to eliminate any flex in the dish where the locking tabs click into.

CLICK Booty



CLICK Booty allows the installer the ability to use Cat6 outdoor cable, terminate their own ends (shielded) and maintain waterproofing properties on the dish end.

Available at www.clickdatawifi.com.au