

# PSF-402 Patch Cable 4.3-10 Male to 4.3-10 Male Low PIM 2m

SKU: IBC-PT-00089  
 MPN: CA-R402-431431.2  
 Barcode: 9337692005053

## Description

The PSF-402 Patch Cable by Powertec is a 2m coaxial cable featuring 4.3-10 Male connectors on both ends, designed for RF applications needing low Passive Intermodulation (PIM). The cable, part number CA-R402-431431.2, is made from Powertec's PSF-402 series, known for its balance of performance and cost-effectiveness. This 0.141" semi-flexible coaxial cable supports frequencies up to 34 GHz and is microwave-grade with mode-free operation, making it ideal for component interconnection.

Its construction includes a tin-soaked copper braid offering near 100% RF shielding, ensuring high performance with minimal signal loss. The cable's 4.2mm bright blue outer jacket is malleable, reducing solder joint failures and permitting immediate bends behind the fillet. It can endure over 500 mating cycles, ensuring longevity and reliability in demanding environments.

The PSF-402 Patch Cable is compliant with ISO 9001 and RoHS standards, reflecting...

[Read More](#)



## RF Specification

	Powertec
Start Frequency:	0 GHz
PIM, 3rd Order:	-155 dBc
VSWR Measurement	Stop Frequency: 6 GHz

Powertec is a wireless technology manufacturer and systems integrator based in Australia. Operating since 1995, Powertec has grown to become the leading wireless technology distributor in its region, and a leading Infratech systems developer. Supporting over 1500 partners the company provides procurement, design, project management, and support services across Australia, New Zealand, Pacific ...

**Frequency**

3000 MHz

6000 MHz

**VSWR** $\leq 1.2:1$  $\leq 1.5:1$ 

# Physical Specification

Subtype:	Patch Cable	Length:	0.5 m
----------	-------------	---------	-------

Mating Cycles:	> 500	Weight:	63 g
----------------	-------	---------	------

Compliance/Certifications:	ISO 9001 Quality Management
----------------------------	-----------------------------

RoHS	
------	--

**RF Connectors****RF Interface**

4.3-10 Male

4.3-10 Male

**Body Shape**

Straight

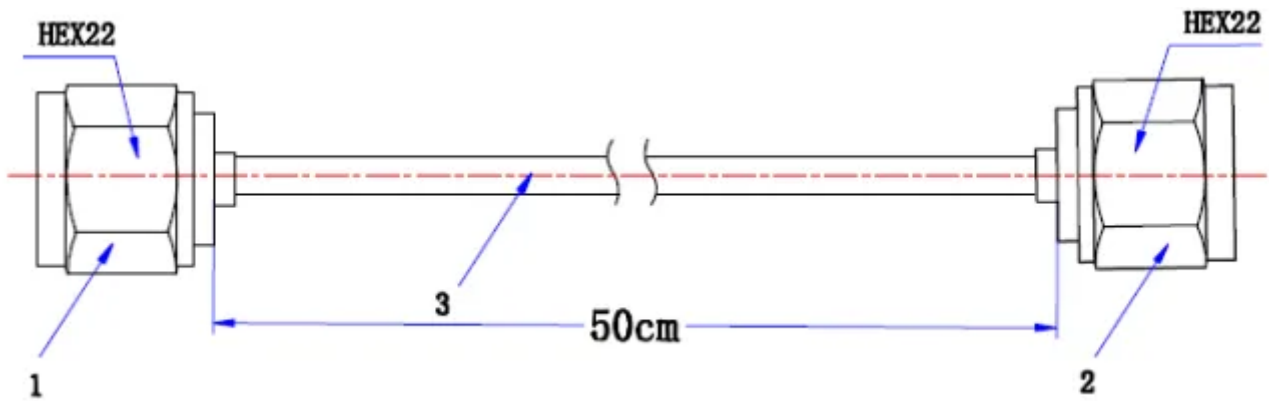
Straight

**Mounting**

Free Hanging

Free Hanging

## Drawing



## PSF-402

Min. Frequency:	0 GHz	Max. Frequency:	34 GHz
Impedance:	50	Shielding Effectiveness:	> 110 dB
Min. Bend Radius Static:	8 mm	Colour:	Blue
Min. Bend Radius Dynamic:	40 mm		

Cable Layers

Layer	Diameter	Materials
Inner Conductor	0.93 mm	Silver Plated Copper (SC)
Dielectric	3.00 mm	PTFE / Teflon
Outer Conductor	3.52 mm	Tin Soaked Copper Braid
Outer Jacket	4.20 mm	Polyolefin LSZH

Disclaimer: Although care has been taken to ensure the accuracy, completeness and reliability of the information provided, Powertec assumes no responsibility therefore. The user of the information agrees that the information is subject to change without notice. Powertec assumes no responsibility for the consequences of use of such information, nor for any infringement of third party intellectual property rights which may result from its use. IN NO EVENT SHALL POWERTEC BE LIABLE FOR ANY DIRECT, INDIRECT, SPECIAL, OR INCIDENTAL DAMAGE RESULTING FROM, ARISING OUT OF OR IN CONNECTION WITH THE USE OF THE INFORMATION.

