



ELEVATED DESIGN & EXPERIENCE

The Alta Labs AP6-Pro Access Point features a compact form factor and a sleek aesthetic design allowing seamless integration into corporate, commercial, and residential environments. The AP6-Pro is IP54-rated for higher end commercial environments. The AP is powered over Ethernet for simple, clean installation. Versatile mounting hardware featuring our proprietary QuickMount™ technology for quick, simple mounting.

FEATURES

- WiFi 6 With WiFi 7 Benefits
- Superior Range and Performance
- IP54 Rated
- Scalable Cloud-Based Management
- Mobile App
- DPI Engine
- AltaPass™ Multi-Password Technology
- Hotspot Functionality
- On-The-Fly Changes and Scanning
- Wireless Network Color Coding
- SSID Broadcasting Flexibility
- Customizable Dashboard
- Status Snapshots
- Device Cards

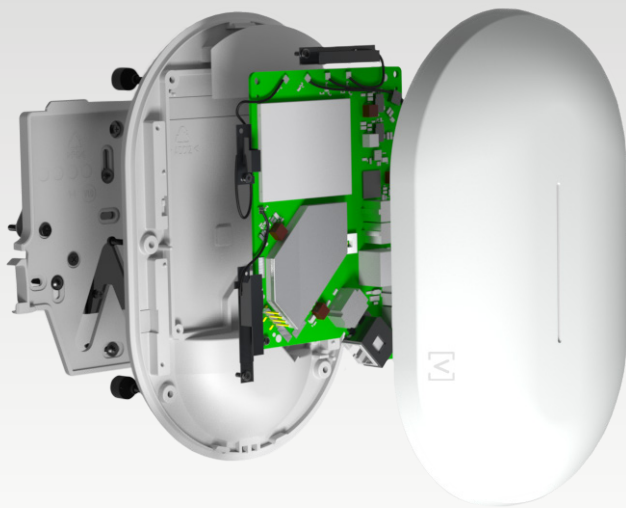
WiFi 6 with WiFi 7 Benefits

Built on an innovative new dual-band, 6 stream, WiFi 6 networking platform from Qualcomm®, the AP6-Pro incorporates 4096 QAM, one of the primary features of WiFi 7, providing a combined 6.3 Gbps of WiFi capacity.



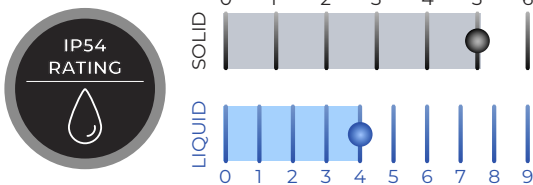
Superior Range and Performance

Our proprietary antenna design provides superior range and performance. The AP6-Pro features four 5 GHz antennas, a design that helps the AP6-Pro outperform 2x2 APs by an over 30% throughput increase in many cases. Seamless roaming is fully automatic with support for the 802.11 k, v, and r standards. The AP6-Pro utilizes intelligent mesh formation for maximum throughput.



IP54 Rated

The AP6-Pro is IP54 rated, offering strong protection against solids such as dust in a commercial environment, and a limited level of water resistance from water spray, allowing the AP to be installed outdoors under eaves or overhangs.



Scalable Cloud-Based Management

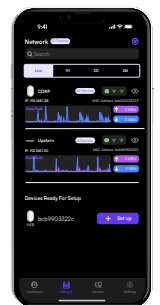
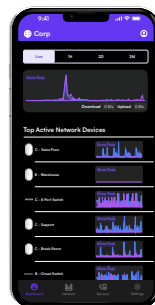
Alta Labs provides an intuitive and easy-to-use cloud-based management interface for Alta Labs access points and switches. Designed for optimum scalability using a high-availability architecture for the ultimate in convenience and worldwide accessibility. Built on a worldwide content delivery network to optimize response and latency, our global cloud infrastructure ensures geographically optimized connectivity through our redundant network.

Deploy and manage multiple sites quickly and easily. Add, delete, or rename sites instantly. Toggle between sites from a site selection drop-down. Each site contains its own data set.



Mobile App

Monitor and manage your networks from the convenience of your mobile device using the Alta Networks app. Sign up for an Alta Labs account using just your name, email, and password or sign in using your Google or Apple account.



Advanced Filtering - DPI Engine

The Alta Labs access points have a powerful built-in Deep Packet Inspection (DPI) engine. By incorporating this feature directly in the access points, there is no need to purchase additional hardware to take advantage of this powerful tool.

Restrict access to websites, applications, or application types. Filter settings are easily applied in the Alta Labs web management interface.

Select applications or application types in the Block Applications drop-down menu. Block websites by typing in their domain names in the Block Domains field.

Password-Based Exceptions

There are many scenarios where users can't have or don't need their content filtered. The Alta Labs management interface allows you to bypass the site filter policy using our Multi-Password Authentication technology. Define a password to provide to users that bypasses the defined filter rules. If a hotspot has been created, it can also be bypassed. If a schedule has been defined, it can be ignored. Multiple password options can be defined using various combinations of the options.

Passwords

Use different passwords to automatically separate different types of... [Show More](#)

Standard [icon] [password field]

Guest

VLAN

DL Rate (Mbps)

UL Rate (Mbps)

Bypass HotSpot

Ignore Schedule

Bypass Filter



Device Specific Exceptions

For instances where specific devices should not have their content filtered, adhere to a schedule, or bypass a hotspot, admins can allow individual devices to bypass the filter, schedule, and/or hotspot settings.

Outdoor SmartPlug [close]

Blank values will use defaults.

Network Type

VLAN

DL Rate (Mbps)

UL Rate (Mbps)

Bypass Hotspot

Bypass Schedule

Bypass Filter

Device Icon

AltaPass™ Multi-Password Technology

AltaPass is a unique Alta Labs feature that allows clients to connect to the same wireless network SSID using different passwords. Clients are provided with different network and internet access levels based on the password they use to connect to the network.

When a password is created, select from one of the predefined standard use cases. The password can then also be associated with a specific upload or download rate, a VLAN, or set to bypass the filtering rules, the hotspot functionality, or to ignore the schedule.

- **Standard/Small** Typical network with less than 100 WiFi clients/devices
- **Large** Optimized for hundreds to thousands of WiFi clients/devices
- **IoT** Restricted to Internet and local incoming connections only
- **Internet only** Restricted to Internet only
- **Guest** Restricted to Internet and IoT devices

Hotspot Functionality

Built-in functionality to create your own local hotspot with a logo, title page, terms of service, and a final landing page. You also have the option to redirect to an external URL.



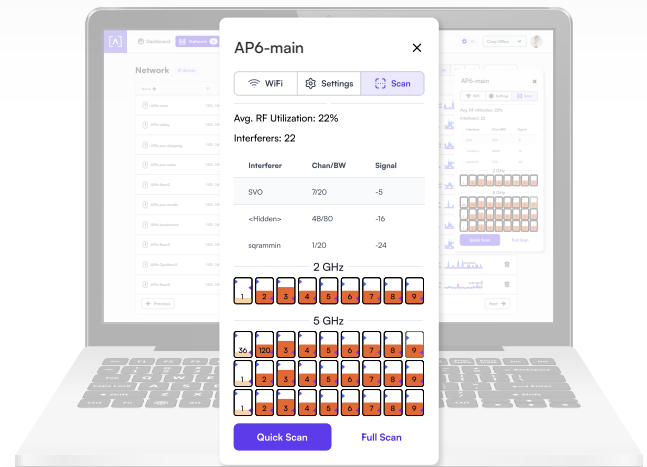
ALTA PASS™

MULTI-PASSWORD TECHNOLOGY



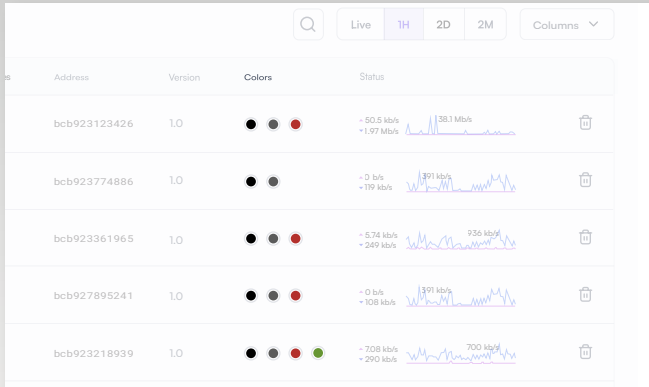
On-The-Fly Changes and Scanning

- Configuration changes do not require a reboot of your network. Changes can be made without taking your network down.
- Scan your AP environment without disrupting your WiFi network.



Wireless Network Color Coding

Patent pending functionality that allows you to assign groups to wireless SSIDs and then assign membership to wireless access points.

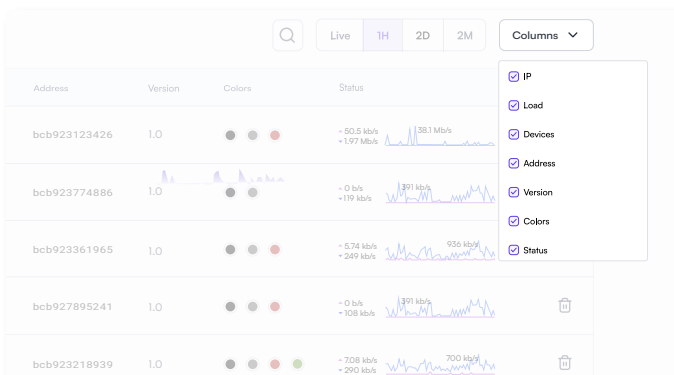


SSID Broadcasting Flexibility

In addition to standard functionality such as hiding your SSID, you can continue broadcasting your SSID during a “scheduled off” event. This provides network admins with the ability to grant users additional time on the network. A user can request access via a captive portal displayed when they try to access the network.

Customizable Dashboard

Customize your dashboard with the information you want to see: IP address, Load, number of devices, MAC address, firmware version, wireless network color assignment, and real-time status details. Details are sortable by column.

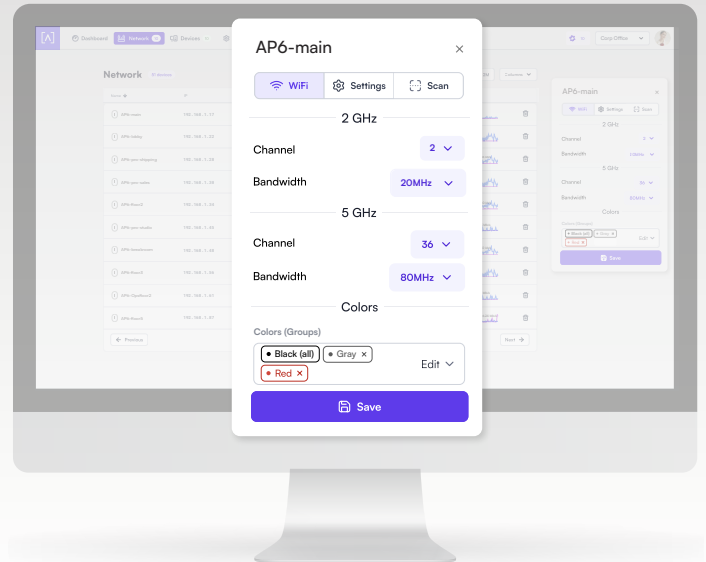


Status Snapshots

View upload and download throughput with a visual timeline on the dashboard for each AP displayed along with the number of connected devices, average processor load, channel load, and average connected devices. Select a snapshot of the last minute, last hour, last two days, or last two months.

Device Cards

Easily view connection details and configure your access points or client connections by clicking the device icon.

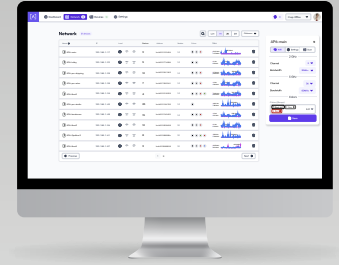


SPECIFICATIONS

| MECHANICAL | |
|-------------------------|---|
| Dimensions | 190 x 125 x 32 mm (7.5 x 4.9 x 1.25") |
| Weight | 0.4 kg (0.9 lbs) |
| Enclosure Material | Top Cover: Polycarbonate, Bottom Cover: Milled Aluminum |
| Mount Material | Ceiling/Wall: Polycarbonate, Drop Ceiling: Steel |
| Weatherproofing | IP54 |
| HARDWARE | |
| Network Interface | Ethernet, WiFi, Bluetooth |
| Management Interface | (1) GbE RJ45 Port |
| Button(s) | Reset/Factory Reset |
| LED | Blue, White |
| Power Method | PoE+ |
| Power Supply | PoE+ Enabled Network Switch or 48V, 0.5A PoE Adapter (Optional) |
| Supported Voltage Range | 42.5-57V DC |
| Power Consumption | 25W Max, 7 - 15W Typical @ 23° C (73° F) |
| Max. Transmit Power | 2.4 GHz: 23 dBm @2NSS, 5 GHz: 26 dBm @4NSS |
| MIMO | 5 GHz: 4 x 4, DL/UL MU-MIMO, DL/UL MU-OFDMA 2.4 GHz: 2 x 2, DL/UL MU-OFDMA Explicit TX beam-forming |
| Throughput Rate | 2.4 GHz: Up to 573 Mbps, 5 GHz: Up to 5.8 Gbps |
| Antenna Gain | 2.4 GHz: Up to 3.3 dBi, 5 GHz: Up to 4.3 dBi |
| Mounting | Wall, ceiling, drop-ceiling, table top |
| Operating Temperature | -30 to 60° C (-22 to 140° F) |
| Operating Humidity | 5 to 95% Noncondensing |
| Certifications | CE, FCC, IC (Visit Alta.inc for a full list of certifications) |



| SOFTWARE | |
|------------------------------|---|
| WiFi Standards | 802.11a/b/g/n/ac/ax (WiFi4/WiFi5/WiFi6) |
| Roaming | 802.11r/k/v |
| Wireless Security | WPA2-PSK, WPA3-PSK, WPA-Enterprise (WPA2/WPA3) |
| Multi-BSSID | Supported |
| VLAN | 802.1Q |
| Advanced QoS | 802.11e |
| Guest Traffic Isolation | Supported |
| Concurrent Clients | 350+ |
| Zero Wait DFS | Yes |
| Intelligent WiFi Scheduling | Yes |
| Hotspot Functionality | Yes |
| Scalable To Stadiums | Yes |
| Seamless Per-Client Settings | VLAN, Device Type, Rate Limit, Hotspot/Schedule Exception |

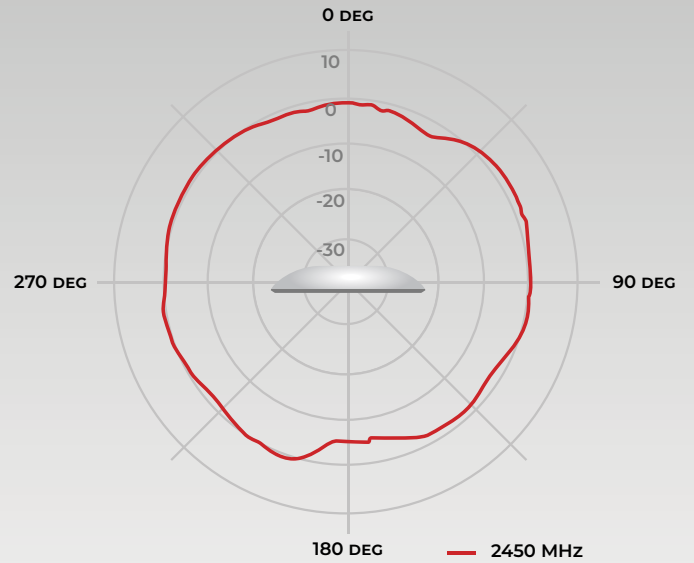
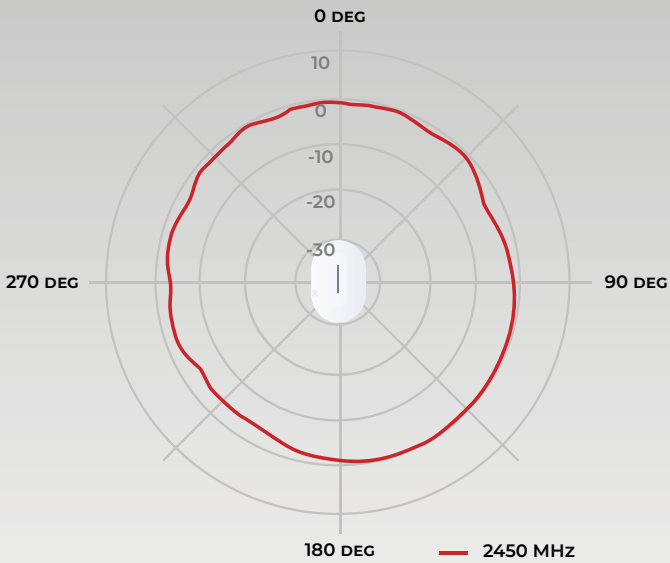


| SUPPORTED DATA RATES | |
|----------------------|---|
| 802.11a/g | 6 Mbps to 54 Mbps |
| 802.11b | 1 Mbps to 11 Mbps |
| 802.11n | 6.5 Mbps to 600 Mbps (Up to MCS 31) |
| 802.11ac | 6.5 Mbps to 3.4 Gbps (Up to MCS 9) |
| 802.11ax | 2.4 GHz: Up to 573 Mbps, 5 GHz: 6.5 Mbps to 5.8 Gbps (Up to MCS 13) |

FEATURE COMPARISON

| Features | AP6 | AP6 PROFESSIONAL |
|-------------------------------|----------|---------------------|
| WiFi 6 | ✓ | ✓ |
| Bluetooth (For Easy Adoption) | ✓ | ✓ |
| Content Filtering | ✓ | ✓ |
| PoE+ | ✓ | ✓ |
| 2.4 GHz MIMO | 2 x 2 | 2 x 2 |
| 5 GHz MIMO | 2 x 2 | 4 x 4 |
| Max WiFi Throughput | 3.0 Gbps | 6.3 Gbps |
| 4096 QAM | - | ✓ |
| IP54 RATED | - | ✓ |

2.4 GHz



5 GHz

